


CHUTONG ELECTRIC CO LIMITED

Magnifying led lamp-USB power supply

 <p>Brightness Dimmable 3 Colors Temperature Changing</p> <p>3 Colors Temperature Changing</p> <p>10 Levels Brightness+</p> <p>10 Levels Brightness-</p> <p>Switch ON/OFF</p> <p>Yellow</p> <p>White</p> <p>Warm White</p>	<p>Item number CHN37B5X</p> <p>outer diameter 160mm Inner diameter 110mm Lightness: White/coolwhite/warm white Arm 370mm*2</p> <p>magnification: 5X base clamp</p> <p>led lightsource brightness adjustable USB power input</p>
---	--

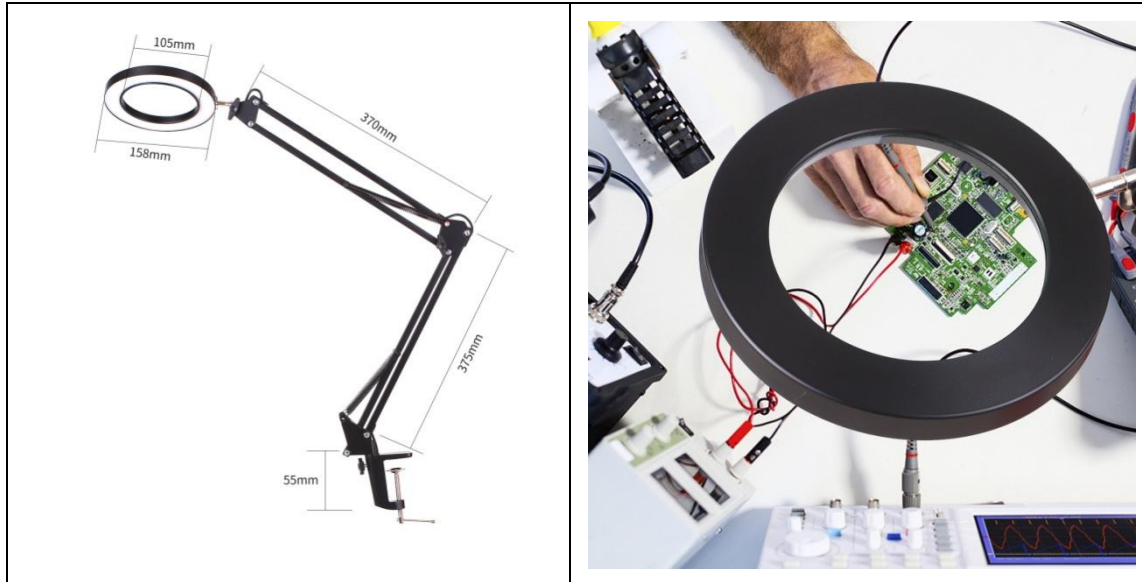
Magnifying lamp application

1 suitable for circuit board inspection, processing, installation at electronics industry. Electronic engineers to observe and test the micro elements, components of dense circuit board

2 suitable for engraving, fine operation and observation.

3 suitable for simple surgical operation. Enlarge the lighting for beautician and medical staff

Processed with antistatic material, so electrostatic prevented



Magnifier lamp Features:

combined magnification and illumination, Clear and illuminating magnifying lens with protective cover, The lens head can rotate left and right with 360 degrees and flip up and down 180 degrees, Soft cool bulb for natural color and shadow-free magnification, Power on and off switch, Articulated arm, no visible springs, Hydraulic look, Conveniently adjustable height and arm for magnification in any position by extendable and foldable, flexible swing arm.