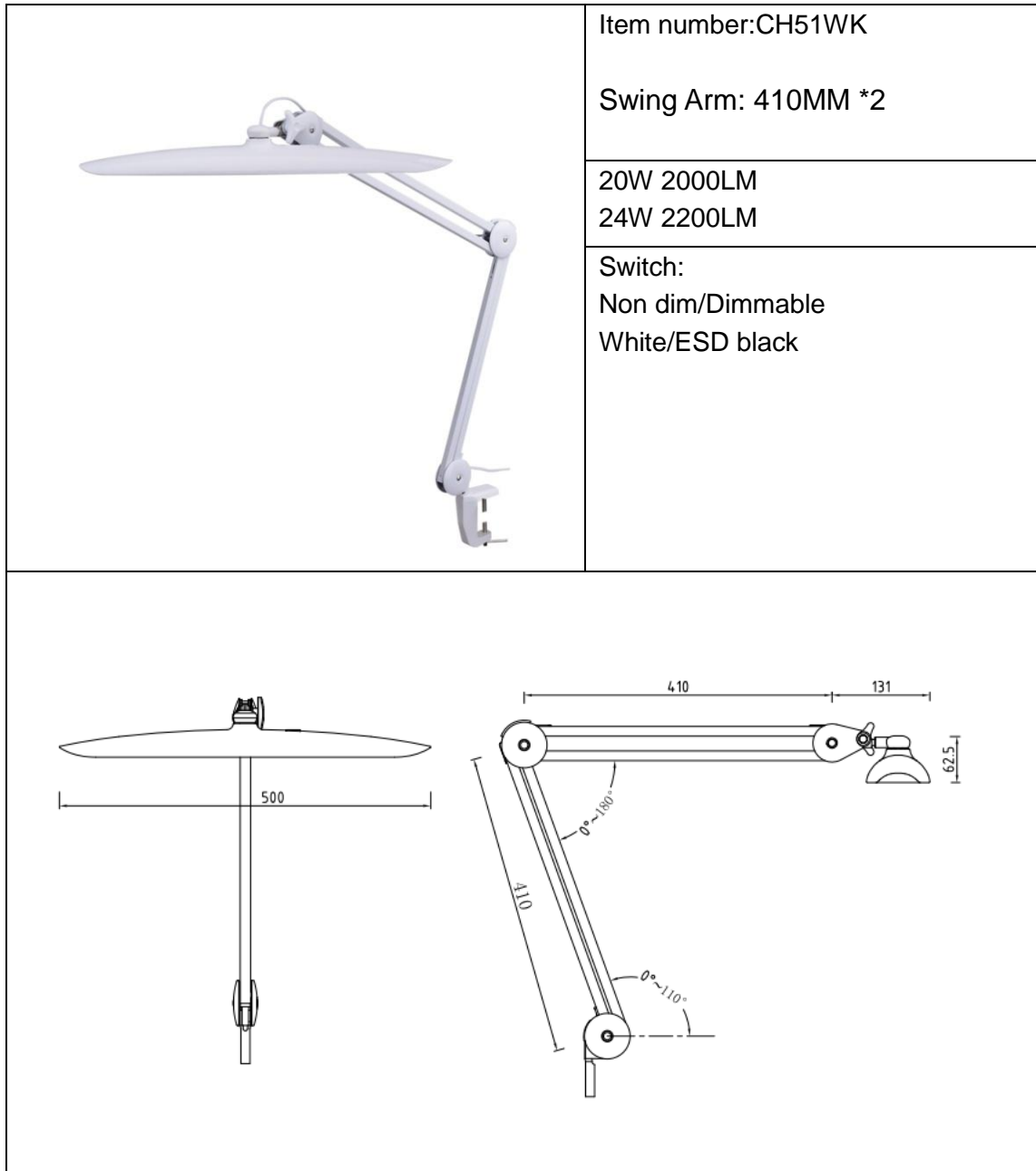


CHUTONG ELECTRIC CO LIMITED

Led Work light



Product Description

An industrial quality daylight balanced task light.

Features a long 41cm*2 shade and a long-reach swing arm designed for any work bench or desk. Great for inspection of small parts, stamp collecting, crafts and hobbies

Features:

41cm*2 Spring Balanced Swing Arm stays set in any position.
clamp for mounting to desk, workbench, table, etc.

CHUTONG ELECTRIC CO LIMITED

Industries usage Mfg, Assembly, Inspection, QA, Scientific, Medical, Forensics, etc.
110/220V-60Hz; 5-foot power cord. For indoor use only.

Spare parts

