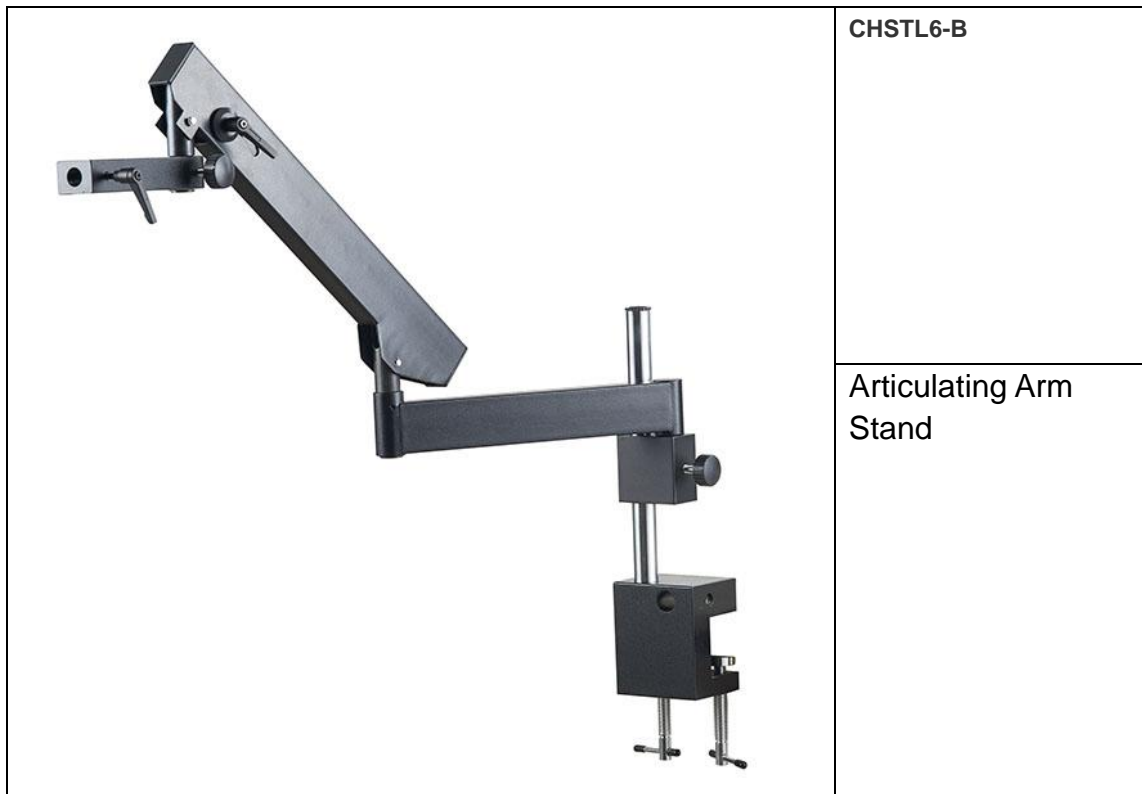


# CHUTONG ELECTRIC CO LIMITED

## Microscope stand



CHSTL6-B Articulating Arm Stand with C-clamp

Expand the scope of operation and observe the object in any direction

Vertical Post: 400mm

Horizontal moving: 770mm

Diameter:  $\Phi$ 25mm

Vertical Post: 275mm

Base Size: 98x80x116mm

Max Clamping Size: 50mm