



# CHUTONG ELECTRIC CO LIMITED

## Magnifying led lamp

	<p>Item number:CHTG8006LED Lens: 5" 6" 7" Diopter:3/5/8 diopter Light source: LED Voltage:110V/ 220V Color temperature:6400K Mount: table bracket clamp Color: white/ESD black Dimmable</p>
	<p>Lens changeable</p>



 <p>3D/5D/8D</p>	
---	--

### Magnifying lamp application

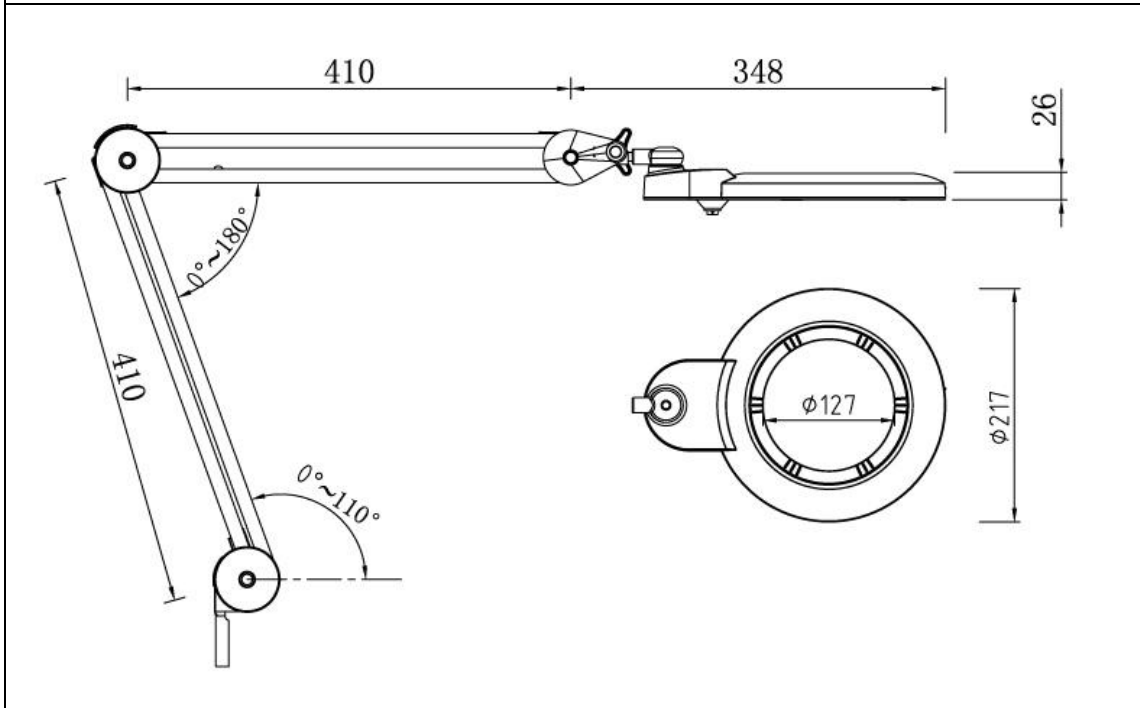
1 suitable for circuit board inspection, processing, installation at electronics industry. Electronic engineers to observe and test the micro elements, components of dense circuit board

2 suitable for engraving, fine operation and observation.

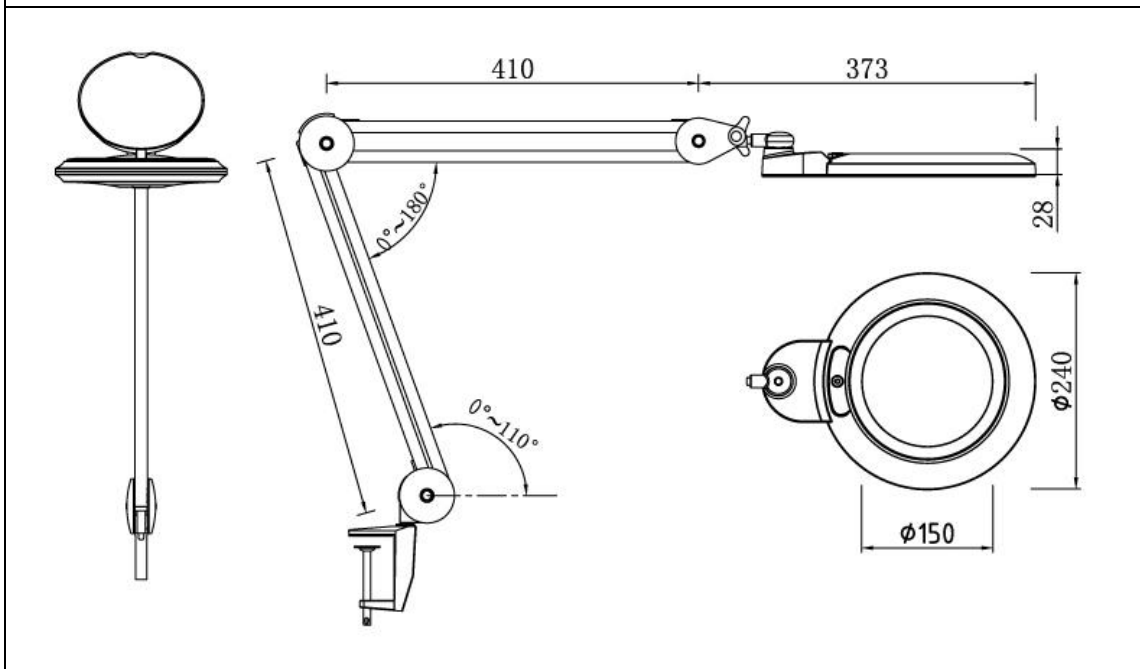
3 suitable for simple surgical operation. Enlarge the lighting for beautician and medical staff

# CHUTONG ELECTRIC CO LIMITED

5inch 127mm lens



6inch 150mm lens



# CHUTONG ELECTRIC CO LIMITED

7inch 178mm lens

